



volkano

Extreme



4K UHD ACTION CAMERA

INSTRUCTIONS

**PLEASE READ AND RETAIN THESE INSTRUCTIONS
FOR FUTURE REFERENCE**

Highlights:

Features:

- 4K Ultra HD 2160P video recorder with wide angle 170° lens
- 8 Megapixel
- Slow motion & time lapse functions
- 2" LCD screen
- Waterproof up to 30 meters
- Built-in WiFi & App compatible
- Supports up to 64GB memory card.

Specifications:

- LCD Screen : 2" LTPS
- Lens Angle : 170° wide angle
- Video Recording Options : 4K @ UHD 30fps, FHD 1080P @ 60fps, HD 720P @120fps
- Camera : 8 Megapixel
- Video Format : MP4
- Photo Resolution : 8MP, 5MP, 2MP
- Photo Mode : Normal, timed, automatic, sports
- Video Mode : Slow motion, time lapse, loop, stop motion
- Zoom : 4 x digital zoom
- Battery Capacity : 1150 mAh removable rechargeable battery
- Power Supply : DC 5V, 1A
- Camera Recording Time : 90 minutes, subject to memory card capacity
- Charging Time : 2 hours
- Mobile App : "NTK CAM"
- Compatibility : Windows XP/7/8/10 and above also iOS 10.5 and above
- Size : 59 x 41 x 29 mm
- Weight : 58 g

Connections : Micro USB port, Micro HDMI Output

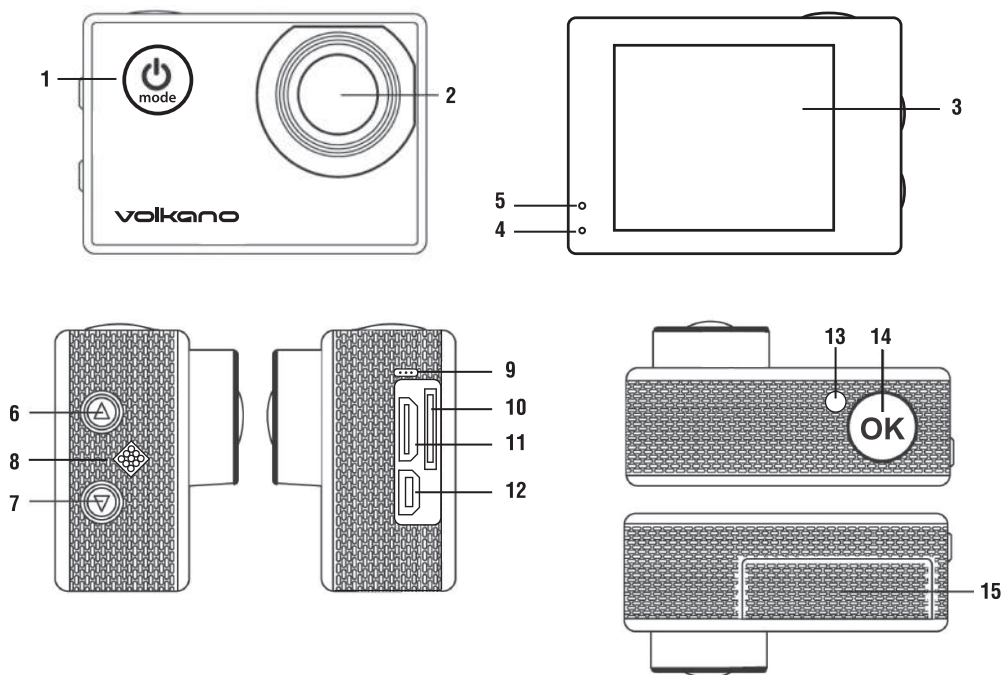
Micro SD card slot : Class 10, supports up to 64 GB (not included)

Included in this Kit

- Volcano Extreme Action Camera
- Instruction Manual
- 30M Waterproof housing
- Helmet Base
- Angle Adaptor
- Handlebar Mount
- Helmet Mount Release Clip
- Camera Mounting Frame
- Adaptor
- USB Charge Cable
- Straps

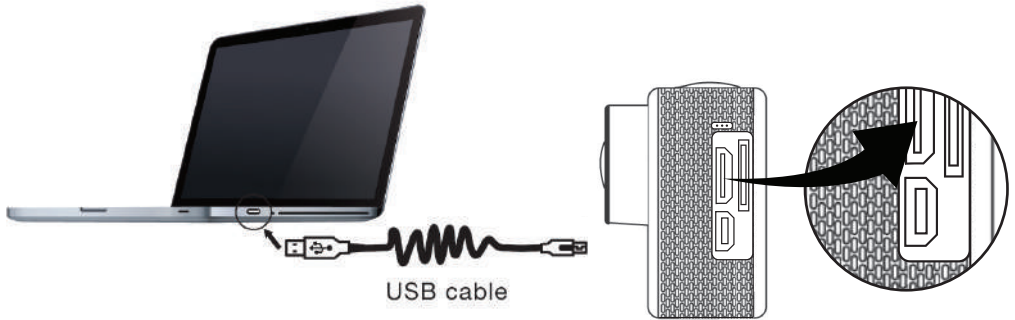
Description of Parts

1. Power/Mode Button
2. Camera Lens
3. LCD Display Screen
4. Active Indicator Light
5. Charging Light Indicator
6. Up/WiFi Button
7. Down Button
8. Speaker
9. Microphone
10. Micro SD Card Slot
11. Micro USB charging port
12. Micro HDMI Output
13. Camera "On" Indicator Light
14. OK/Enter Button
15. Battery Compartment



Charging the Camera

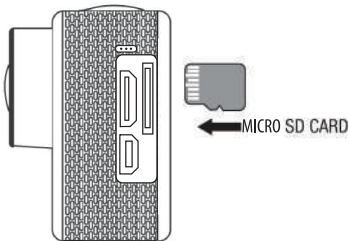
The action camera includes a rechargeable lithium-ion battery. Please ensure the battery is fitted inside the battery compartment and that the cover is firmly closed. To charge the battery, connect the end of the charge cable to the micro USB port on the side of the camera and the other end a USB wall charger, computer or any compatible device with a minimum charge of 1A.



Storage Card

Note: There is no built-in memory unit in the camera, please insert a micro SD into the slot before use.

1. Gently insert the micro SD into the slot
2. To remove the storage card, gently push in the micro SD card, it will automatically pop-up for removal.



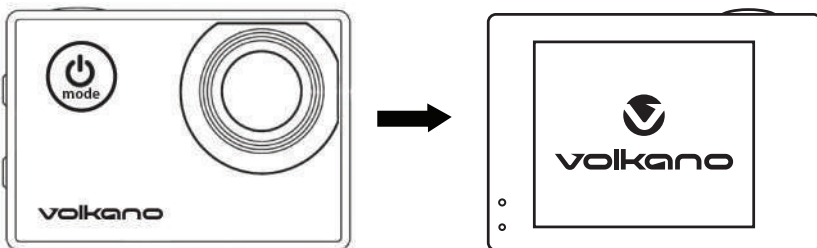
PLEASE NOTE:

We recommend the use of a high-speed (Class 6 or Higher) memory card for the best results in 1080 mode, (Class 10 memory card for best results in 4K mode).

This Action Camera will operate with memory cards up to a 64GB capacity.

Power On/Off:

Press and hold the front power/mode button to switch the camera on or off.



Indicator Light:

When the camera is busy recording or taking photos, the red indicator light will show. Should you turn on the WiFi function, your indicator will light up Red. The indicator will also light up red while charging.

Camera Modes:

To change camera mode tap the front Power button to scroll between VIDEO, STILL PHOTO, SLOW MOTION, PLAYBACK, SETTINGS.

Video Recording Mode:

Use this mode to take a video. Press the top shutter button once to start and press once again to stop the recording.

The time of the current recording is displayed on the bottom centre of the screen together with a flashing red dot to show the camera is recording a video.

Briefly pressing the side DOWN button will activate or deactivate the audio recording showing a microphone icon on the bottom left of the screen with a line through it if audio recording is switched off.

Briefly pressing the side UP button activates the WiFi mode. Holding down the side UP or DOWN buttons will activate the digital zoom function up to 4X zoom. Hold the UP button to zoom in and the DOWN button to zoom out. Please note that it is normal for the resolution to reduce slightly when using digital zoom.

Still Photography Mode:

Use this mode to take a still photo. Press the top shutter button to take a photo.

Holding down the side UP or DOWN buttons will activate the digital zoom function up to 4X zoom.

Hold the UP button to zoom in and the DOWN button to zoom out.

Please note that it is normal for the resolution to reduce slightly when using digital zoom.

Briefly pressing the side UP button activates the WiFi mode.

Slow Motion Mode:

Use this mode to take a video to be played back in slow motion.

Press the top shutter button once to start and press once again to stop the recording. The time of the current recording is displayed on the bottom centre of the screen together with a flashing red dot to show the camera is recording video.

If it is activated in the settings, the front indicator light will also flash. Briefly pressing the side UP button will activate or deactivate the audio recording showing a microphone icon on the bottom left of the screen with a line through it if audio recording is switched off.

Holding down the side UP or DOWN buttons will activate the digital zoom function up to 4X zoom.

Hold the UP button to zoom in and the DOWN button to zoom out.

Please note that it is normal for the resolution to reduce slightly when using digital zoom.

Playback Mode:

Use this mode to view video and photos recorded on the camera.

Use the side UP and DOWN buttons to scroll through your recordings.

Tapping the top OK button will begin playing back video recordings.

Holding down the top OK button will bring up a delete option should you want to erase a recording permanently.

Settings Mode:

The front Power button changes between Video settings, Camera settings, Advanced Image setting, System settings, Menu Exit.

In the settings menu tap the top OK button to access the settings. Then use the side UP and DOWN buttons to change the highlighted setting.

Press the top OK button to select the highlighted setting of your choice. Now use the side UP and DOWN buttons to change the individual selection and press the top OK button to confirm.

Video Settings:

Video Resolution: The higher the resolution and frame rate, the clearer the picture, but at the expense of battery and memory usage. The higher the frame rate, the clearer the image will be when pausing. Select the best setting for your particular situation. **Options are:** 4K 30fps, 2.7K 30fps, 1080P 60fps, 1080P 30fps, 720P 120fps, 720P 60fps, 720P 30fps.

Recording Sound: On / Off

Time Lapse Video Recording: This will record a single frame at each time period so when played back, the video will be speeded up dramatically. Ideal for filming things which happen slowly over several minutes or even hours for fast playback. **Options are:** Off, 0.5s, 1s, 2s, 5s, 10s, 30s, 60s.

Loop Recording: Instead of recording continuously, the recording will stop and restart at each time cycle creating multiple individual videos automatically. **Options are:** Off, 2 minutes, 3 minutes, 5 minutes.

Slow Motion: Selects HD 720P or Full HD 1080P modes for Slow Motion recording.

Photo Settings:

Photo Resolution: The higher the resolution, the more detail the photo will have, but at the expense of extra memory usage. **Options are:** 2, 5, 8 Mega Pixels.

Timed: This allows a time delay between the time the shutter button is pressed and the camera takes the photo: **Options are:** Off, 3, 5, 10, 20 seconds.

Auto: This will continuously take a single photo when the shutter button is pressed at the timed interval until the shutter button is pressed again. Options are: Off, 3, 10, 15, 20, 30 seconds.

Drama shot: This will take multiple single photos in 1 second. **Options are:** Off, 3, 5, 10.

Advanced Settings

Exposure: This controls how bright the photo image will be. Settings are from -3 to +3.

White Balance: This adjusts the white colour balance for different environmental conditions: Options are: Auto, Sunny, Cloudy, Incandescent lighting, Fluorescent lighting.

Image Rotation: This rotates the entire screen 180 degrees.

Driving Mode: Use this mode to record multiple segments as a car Dash Cam

WiFi: Activates the WiFi function.

Light Source Frequency: This matches the shutter frequency to the scan rate when filming a TV or monitor to prevent flicker. Options are: Auto, 50Hz, 60Hz.

LED Indicator: This activates the indicator light on the front of the camera.

Auto Screensaver: This switches off the camera screen to save battery.

Note: This does not affect the recording. **Options are:** Off, 10, 20, 30 seconds.

Auto Shutdown: This switches the camera off totally after the selected time if there is no recording or activity. **Options are:** 1, 3, 5 minutes.

System Settings

Language: This selects the on-screen language.

Date-Time: Use this to set the current date and time on the camera. The top button selects and side buttons change the setting.

Format: This will erase all recordings on the memory card.
USE WITH CAUTION.

Reset to Factory Settings: This will change all camera settings to the default settings.

Firmware Version: This displays the software version the camera is using.

X: This is to exit the settings menu.

WiFi and Smart Device Use:

The Volcano Extreme action camera can pair with a WiFi enabled devices such as a smartphone or tablet to control the camera remotely.

To enable this function on your smartphone/tablet, please download and install the “NTK Cam” application from the Google Play or Apple Store. Activate WiFi mode on the camera by pressing the up/WiFi button. Search for new WiFi connections on your smartphone/tablet and connect to the device “Extreme”.

After connecting your smartphone/tablet to the action camera, you will now be able to view and control the camera through the “NTK Cam” application.

USB Connection Modes:

When connecting a USB to Micro USB cable to a computer and the camera, 3 options are displayed:

USB Mode: This will show the contents of the memory card on the computer. Use your computer file manager to view or copy files. For best results when playing back video on a computer, we recommend the use of a HD (high definition) video player such as VLC which can be downloaded from www.videolan.org.

Charge Mode: This will only charge the camera from the computer USB port.

Use the side buttons to change mode and the top button to select.

Safety Precautions

- The power supply used with your device must correspond to its original requirements.
- Never use your device or charge your device in the rain, in a wet environment close to sources of water without its waterproof case.
- Never place an open flame, explosive substances or leave the device in direct sunlight or heat.
- Only use the accessories and connectors supplied. The use of any other type of accessory not specifically designed for the purpose may cause irreparable damage to your device.
- Only use and keep your device in an environment where the temperature is between 0°C and 35°C.
- Keep your device out of the reach of children.
- Do not dismantle your device or try to repair it yourself.
- Do not use your device if it has been subject to impact or damage.
- To avoid any risk of electrification, turn off and unplug your device from the main power supply.

Care & Maintenance:

If it is required to clean the camera surface, first blow away any sand or dust accumulated on this surface, and then wipe the camera gently with a rag or tissue applicable to optical equipments.

Please use a cleaning agent made for a video camera for wiping if necessary.

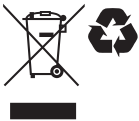
Do not use organic solvent to clean the video camera.

Do not touch the lens surface with fingers.

Do not use nails or metal objects on the the screen to avoid scratching.

Do not dispose of this device with regular house-hold refuse. Please recycle or dispose of safely.

Disposal



Do not dispose of electrical appliances as unsorted municipal waste, use separate collection facilities. Contact your local government for information regarding the collection systems available. If electrical appliances are disposed of in landfills or dumps, hazardous substances can leak into the groundwater and get into the food chain, damaging your health and well being.